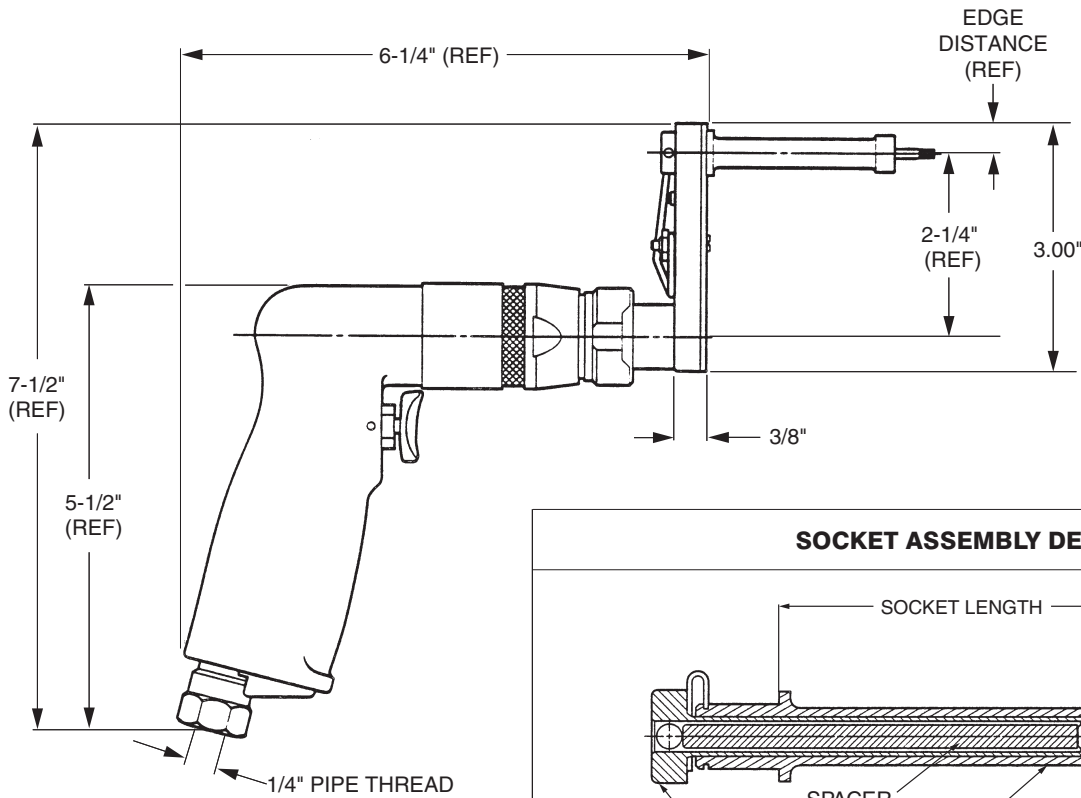


# INSTALLATION TOOLING

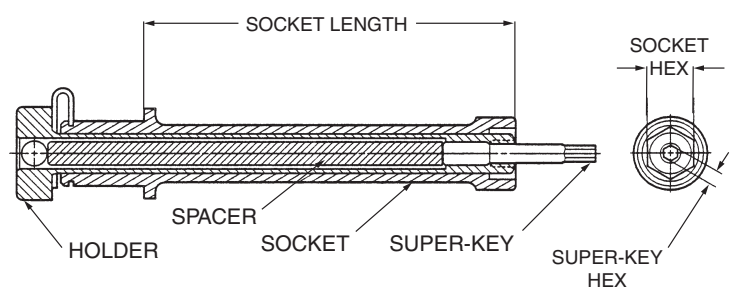
# HLA1204

## 2 Inch Offset Mini Driver Assembly with Multi-Length Socket and Super-Key™ (T-Series)



DRIVER BASIC PART NO.      SOCKET HEX REF. TABLE 1      SOCKET LENGTH REF. TABLE 2      SUPER-KEY HEX REF. TABLE 1      SUPER-KEY HEX (T-SERIES)  
**HLA1204-312 (B)-078 -T**  
 Example: complete driver assy. part no.

### SOCKET ASSEMBLY DETAIL



### TECHNICAL DATA

|                                 |                                |                         |        |
|---------------------------------|--------------------------------|-------------------------|--------|
| Operating Pressure .....        | 90 PSIA                        | Horsepower Rating ..... | 0.2    |
| <b>MAX. TORQUE RATING</b> ..... | 60 in. lb<br>(Motor) @ 90 PSIA | Air Consumption .....   | 20 CFM |
| Socket Speed .....              | 500 RPM                        | Weight .....            | 2 lb   |

**TABLE 1**

| COLLAR DRIVING HEX<br>(Matches Socket Hex) | PIN RECESS HEX<br>(Matches Super-Key Hex) | COMPLETE DRIVER ASSY.<br>PART NO. | OFFSET ADAPTOR AND SOCKET ASSY.<br>PART NO. |
|--|---|-----------------------------------|---|
| 7/32                                       | 1/16                                      | HLA1204-218-062T                  | HLG328-218( )-062T                          |
| 7/32                                       | 5/64                                      | HLA1204-218-078T                  | HLG328-218( )-078T                          |
| 1/4  | 1/16                                      | HLA1204-250-062T                  | HLG328-250( )-062T                          |
| 1/4  | 5/64                                      | HLA1204-250-078T                  | HLG328-250( )-078T                          |
| 9/32                                       | 1/16                                      | HLA1204-281-062T                  | HLG328-281( )-062T                          |
| 9/32                                       | 5/64                                      | HLA1204-281-078T                  | HLG328-281( )-078T                          |
| 5/16                                       | 1/16                                      | HLA1204-312-062T                  | HLG328-312( )-062T                          |
| 5/16                                       | 5/64                                      | HLA1204-312-078T                  | HLG328-312( )-078T                          |
| A = 0.50                                   | E = 0.75                                  | HLA1204-312-094T                  | HLG328-312( )-094T                          |
| B = 1.00                                   | F = 1.75                                  | HLA1204-343-062T                  | HLG328-343( )-062T                          |
| C = 1.50                                   | X = 4.00                                  | HLA1204-343-078T                  | HLG328-343( )-078T                          |
| D = 2.00                                   |   | HLA1204-343-094T                  | HLG328-343( )-094T                          |

**TABLE 2**

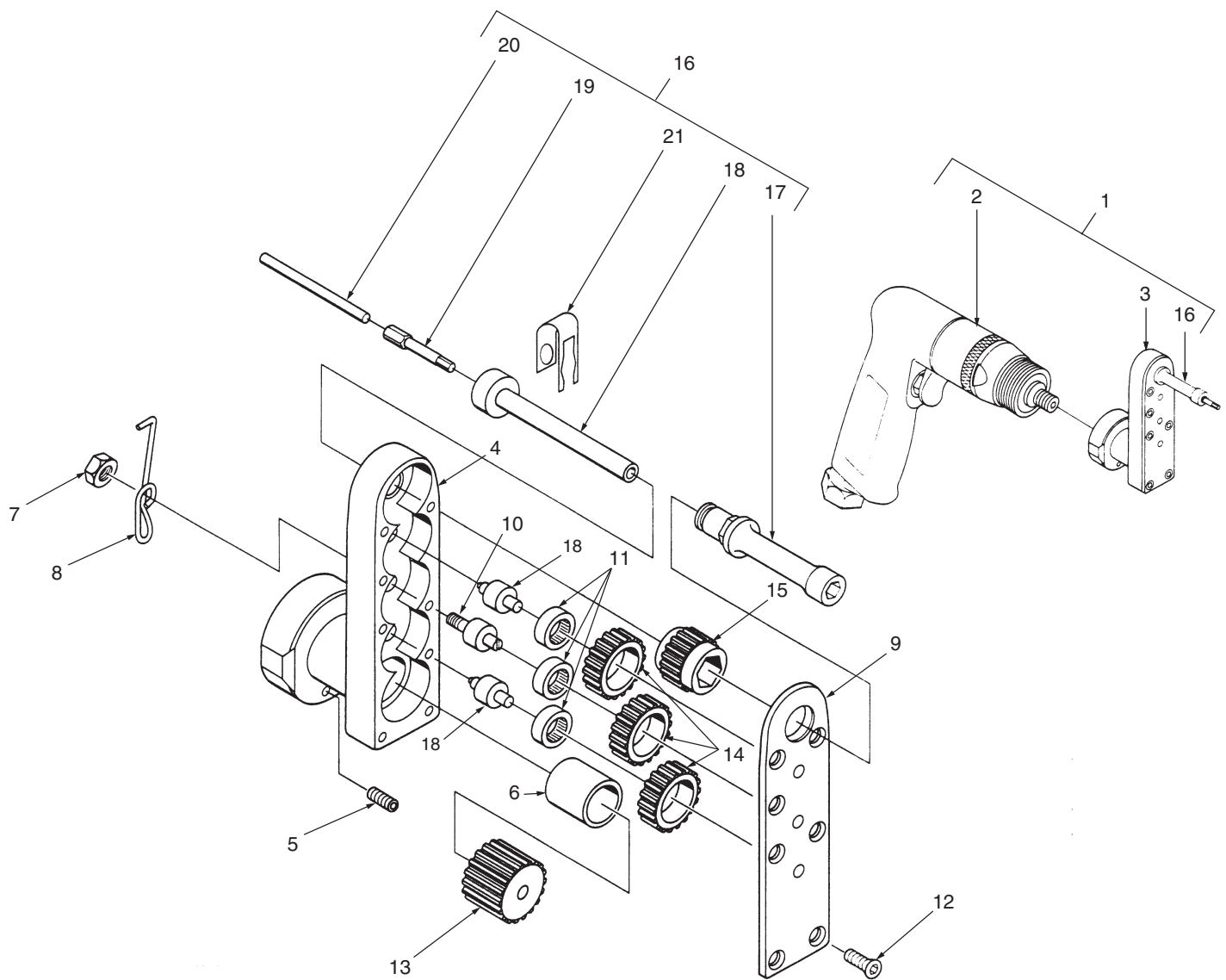
|          |          |
|----------|----------|
| A = 0.50 | E = 0.75 |
| B = 1.00 | F = 1.75 |
| C = 1.50 | X = 4.00 |
| D = 2.00 |          |

**SUPER HLA1204  
2 INCH OFFSET MINI DRIVER ASSEMBLY with Multi-Length Socket  
and Super-Key™ (T-Series)**



# HLG328

## 2 Inch Offset Mini Driver Assembly with Multi-Length Socket and Super-Key™ (T-Series)



| ITEM | PART NO.            | DESCRIPTION                       | QTY | ITEM | PART NO.         | DESCRIPTION                 | QTY |
|------|---------------------|-----------------------------------|-----|------|------------------|-----------------------------|-----|
| 1    | HLA1204-( )-( )T    | Complete tool assy.               | 1   | 12   | HLB379           | . . Screw, flat head socket | 6   |
| 2    | HLB1575             | . . Air motor assy.               | 1   | 13   | HLB1541          | . . Gear, drive             | 1   |
| 3    | HLG328-( )( )T      | . . Offset adaptor & socket assy. | 1   | 14   | HLB1544          | . . Gear, idler             | 3   |
| 4    | HLB1564             | . . Housing                       | 1   | 15   | HLB1543-343      | . . Gear, socket            | 1   |
| 5    | 5-40 UNC x .125 lg. | . . Set screw                     | 1   | 16   | HLS32-( )( )( )T | . . Socket assy.            | 1   |
| 6    | HLB1542             | . . Spacer                        | 1   | 17   | HLS71-( )( )     | . . Socket, hex             | 1   |
| 7    | AN364-632C          | . . Nut, hex                      | 1   | 18   | HLB1615-250( )   | . . Holder                  | 1   |
| 8    | HLB1545             | . . Spring, ejector               | 1   | 19   | HLT140K-( )      | . . Super-Key               | 1   |
| 9    | HLB1556             | . . Cover                         | 1   | 20   | HLB1616-( )      | . . Spacer                  | 1   |
| 10   | HLB208-3            | . . Shaft                         | 1   | 21   | HLB1635          | . . Ring, lock              | 1   |
| 11   | B34                 | . . Bearing (Torrington)          | 3   |      |                  |                             |     |

**HS TOOLING**

14083 S. Normandie Ave, Gardena CA 90249 USA  
800.482.4167 • fax 310.464.8545

**HLG328**

**2 Inch Offset Mini Driver Assembly with Multi-Length Socket and Super-Key™ (T-Series)**

**3026 rev —**