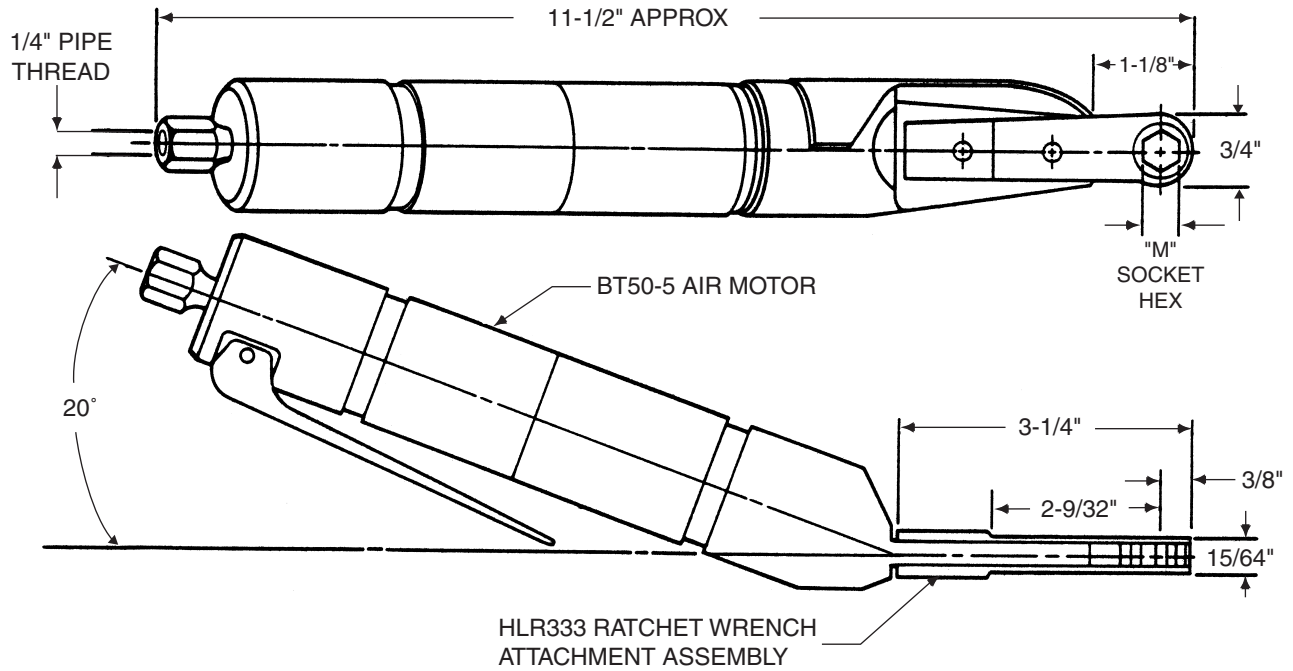


INSTALLATION TOOLING

SUPER HLA2033

Small 20° Offset Ratchet Wrench
Tool Assembly with
Interference Fit Extra Thin Socket



DRIVER BASIC PART NO.

"M" SOCKET HEX REF. TABLE 1

HLA2033-312

Example: complete driver assy. part no.

ORDERING INFORMATION

See table 1 for "M" socket hex to match collar driving hex dimensions

TECHNICAL DATA

Operating Pressure	90 PSIA	Horsepower Rating	0.50
MAX. TORQUE RATING	110 in. lb	Air Consumption	22 SCFM
(Motor)	@ 90 PSIA	Weight	2 lb
Socket Speed	250 RPM		

TABLE 1

"M" SOCKET HEX (Matches Collar Driving Hex)	COMPLETE TOOL ASSEMBLY Part No.	RATCHET WRENCH ATTACHMENT ASSY. Part No. (Ref.)
5/16	HLA2033-312	HLR231-312
11/32	HLA2033-343	HLR231-343
3/8	HLA2033-375	HLR231-375

SUPER HLA2033
SMALL 20° OFFSET RATCHET WRENCH TOOL ASSY w/Interference Fit Extra Thin Socket



3061 rev —

HLR231

Small 20° Offset Ratchet Wrench Attachment Assembly with Interference Fit Extra Thin Socket

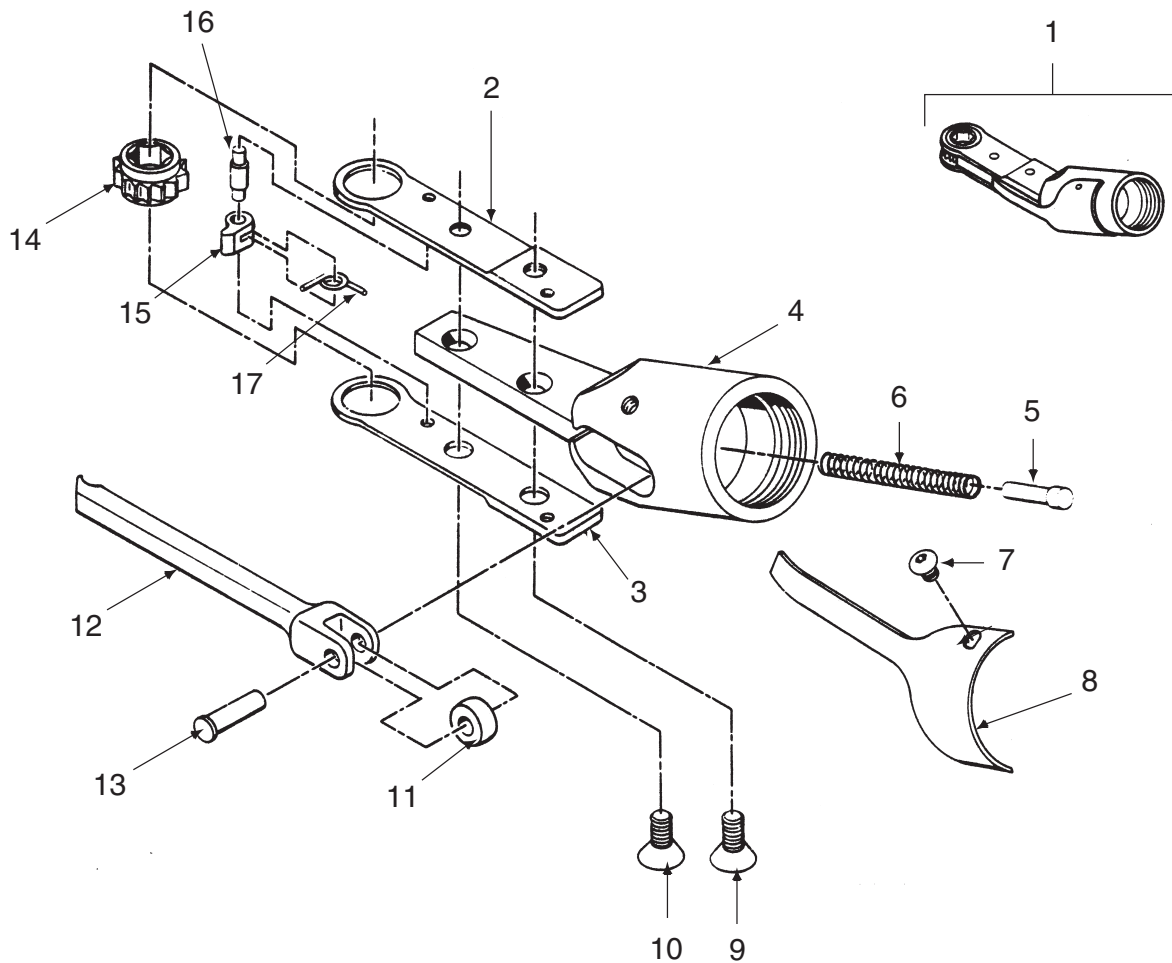


TABLE 2

SOCKET

ITEM	PART NO.	DESCRIPTION	QTY
1	HLR231-()	Ratchet wrench attachment assy.	1
2	HLB68	. Sideplate, tapped	1
3	HLB69	. Sideplate, countersunk	1
4	HLB72	. Housing	1
5	9D-5163	. Spring	1
6	9D-5159	. Pin	1
7	B-117-J	. Screw	2
8	HLB83	. Cover plate	1
9	HLB74	. Screw	1
10	HLB67	. Screw	1
11	9D-5162	. Roller	1
12	HLB73	. Pushrod	1
13	9D-5164	. Pin	1
14	Table 2	. Socket	1
15	HLB70	. Pawl	1
16	HLB71	. Pin	1
17	9D-5161	. Spring	1

SOCKET	
HEX SIZE (Matches Collar Driving Hex)	PART NO.
5/16	HLS130-312
11/32	HLS130-343
3/8	HLS130-375

HS TOOLING

14083 S. Normandie Ave, Gardena CA 90249 USA
800.482.4167 • fax 310.464.8545

HLR231

Small 20° Offset Ratchet Wrench Attachment Assy w/Interference Fit Extra Thin Socket

3062 rev —