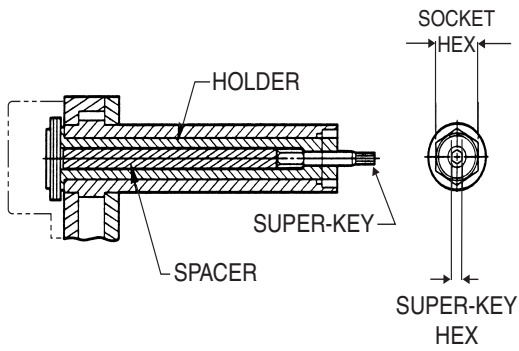


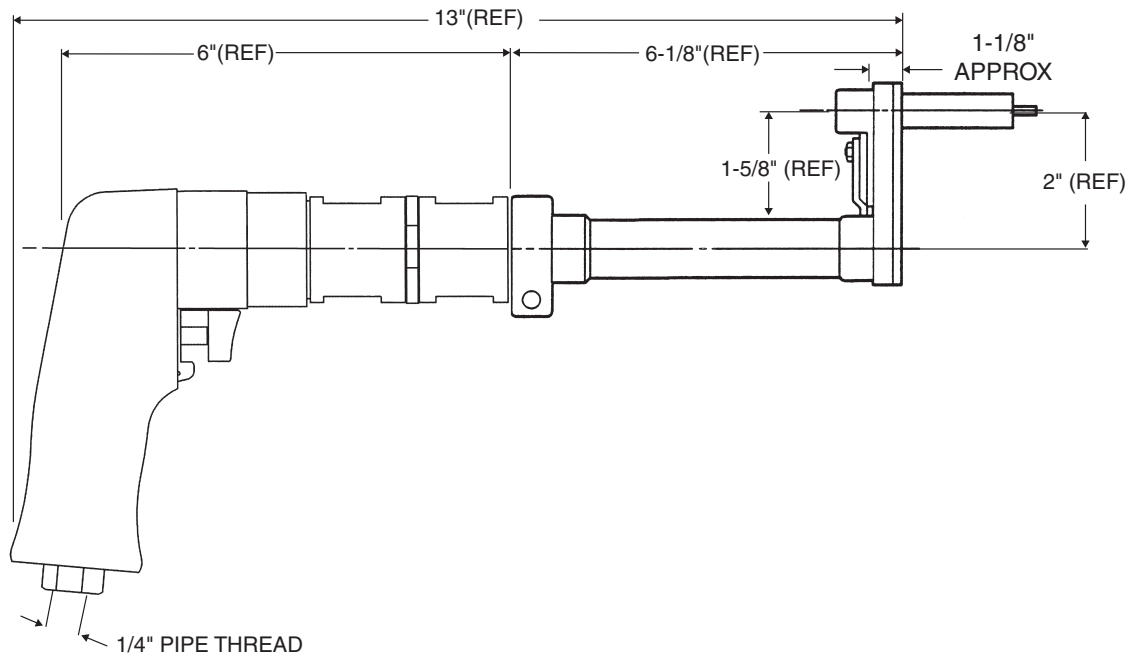
INSTALLATION TOOLING

SUPER HLA2068

**Heavy Duty 2 Inch Offset Driver Assembly
with 2 Inch Extended Socket
and Super-Key™ (T-Series)**



HLG208 - () () - () T SOCKET ASSY



DRIVER BASIC PART NO.
HLA2068 -
 SOCKET HEX REF. TABLE 1
312 -
 SUPER-KEY HEX REF. TABLE 1
078 -
 SUPER-KEY (T-SERIES)
T

Example: complete driver assy. part no.

ORDERING INFORMATION

1. Match pin and collar hexes with Super-Key Hex and Socket Hex.
2. See table 1 for corresponding complete driver assy part no.

TECHNICAL DATA			
Operating Pressure	90 PSIA	Horsepower Rating	0.70
MAX. TORQUE RATING	300 in. lb (Motor) @ 90 PSIA	Air Consumption	22 SCFM
Socket Speed	250 RPM	Weight	3.8 lb

TABLE 1			
COLLAR DRIVING HEX (Matches Socket Hex)	PIN RECESS HEX (Matches Super-Key Hex)	COMPLETE DRIVER ASSY.	OFFSET ADAPTOR & SOCKET ASSY.
5/16	1/16	HLA2068-312-062T	HLG208-312-062T
11/32		HLA2068-343-062T	HLG208-343-062T
5/16	5/64	HLA2068-312-078T	HLG208-312-078T
11/32		HLA2068-343-078T	HLG208-343-078T
3/8		HLA2068-375-078T	HLG208-375-078T
5/16		HLA2068-312-094T	HLG208-312-094T
11/32		HLA2068-343-094T	HLG208-343-094T
3/8	3/32	HLA2068-375-094T	HLG208-375-094T
7/16		HLA2068-437-094T	HLG208-437-094T
3/8	1/8	HLA2068-375-125T	HLG208-375-125T
7/16		HLA2068-437-125T	HLG208-437-125T

HLG208

Heavy Duty 2 Inch Offset Adaptor Assembly with 2 Inch Extended Socket and Super-Key™ (T-Series)

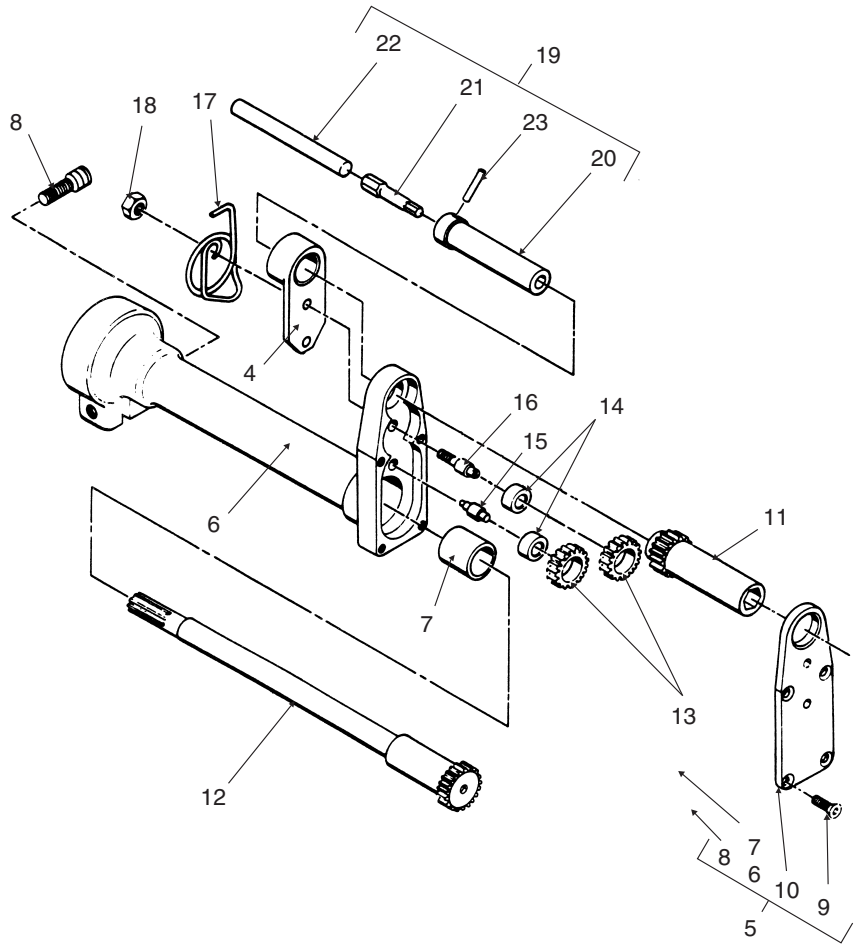
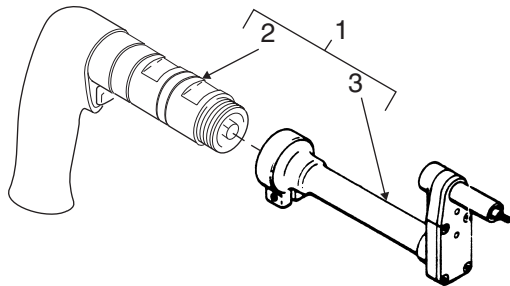


TABLE 2

SOCKET GEAR

HEX SIZE (Matches Collar Driving Hex)	PART NO.
5/16	HLB261-312
11/32	HLB261-343
3/8	HLB261-375
7/16	HLB261-437

TABLE 3

SUPER-KEY

HEX SIZE (Matches Pin Recess Hex)	PART NO.
1/16	HLT140K-062
5/64	HLT140K-078
3/32	HLT140K-094
1/8	HLT140K-125

ITEM	PART NO.	DESCRIPTION	QTY
1	HLA2068-()-()T	Tool assy., complete	1
2	HLB1174-005	. Air motor assy.	1
3	HLG208-()-()T	. Offset adaptor and socket assy.	1
4	HLB1068-()	.. Housing	1
5	HLB169-9	.. Housing assy., complete	1
	(-13 for .437 socket)		
6	HLB168-9	... Housing assy.	1
	(-13 for .437 socket)		
7	B810-5 Bushing (Boston Gear)	1
8	1/4-28 x 5/8 lg.	... Capscrew, socket head	1
9	6-32 x 3/8 lg.	... Screw, countersunk-82°	4
10	HLB173	... Plate, cover	1
	(HLB174 for 7/16)		
11	HLB261-() Table 2	.. Gear, socket	1
12	HLB103-5	.. Gear, drive	1
13	HLB106-11	.. Gear, intermediate, no. 1 and no. 2	2
14	B-34	... Bearing (Torrington)	2
15	HLB1070	.. Shaft, no. 1	1
16	HLB1069	.. Shaft, no. 2	1
17	HLB1071-5	.. Spring	1
18	AN364-632C	.. Nut, lock	2
19	HLW359-()-()	.. Holder assy., wrench tip	1
20	HLB1704-()-()	... Holder	1
21	HLT140K-() Table 3	... Super-Key	1
22	HLB1616-()	... Spacer	1
23	3/32 dia. x .625 lg.	... Pin, roll	1

HS TOOLING

14083 S. Normandie Ave, Gardena CA 90249 USA
800.482.4167 • fax 310.464.8545

HLG208

HEAVY DUTY 2 INCH OFFSET ADAPTOR ASSEMBLY with 2 Inch Extended Socket and Super-Key™ (T-Series)