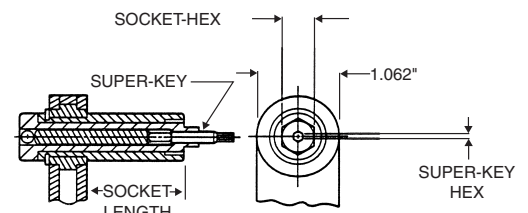
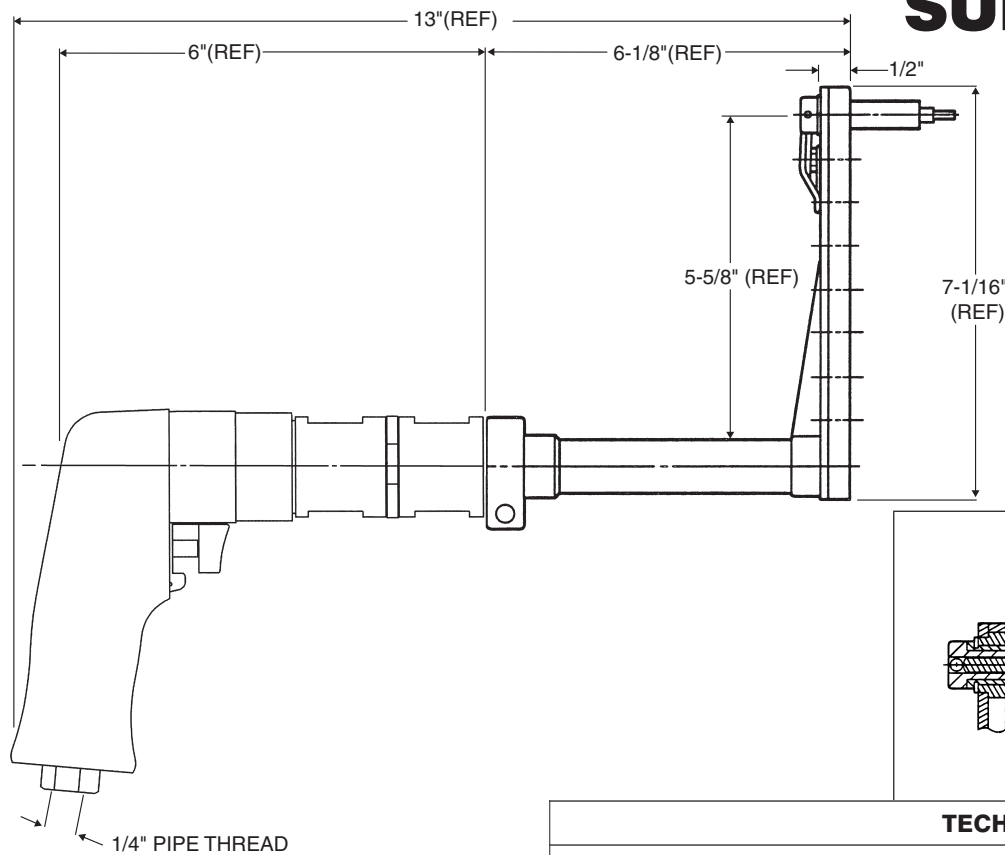


INSTALLATION TOOLING SUPER HLA3025

**6 Inch Offset Driver Assembly
with Multi-Length Socket
and Super-Key™ (T-Series)**



HLS76- () () T SOCKET ASSY

TECHNICAL DATA

Operating Pressure	90 PSIA	Horsepower Rating	0.70
MAX. TORQUE RATING	300 in. lb (Motor) @90 PSIA	Air Consumption	22 SCFM
Socket Speed	250 RPM	Weight	3.8 lb

TABLE 1

COLLAR DRIVING HEX (Matches Socket Hex)	PIN RECESS HEX (Matches Super-Key Hex)	COMPLETE DRIVER ASSY. PART NO.	OFFSET ADAPTOR & SOCKET ASSY. PART NO.	EXTENDED SOCKET ASSY. PART NO.
3/16	1/16	HLA3025-187()-062T	HLG331-187()-062T	HLS76-187()-062T
7/32		HLA3025-218()-062T	HLG331-218()-062T	HLS76-218()-062T
1/4		HLA3025-250()-062T	HLG331-250()-062T	HLS76-250()-062T
9/32		HLA3025-281()-062T	HLG331-281()-062T	HLS76-281()-062T
5/16		HLA3025-312()-062T	HLG331-312()-062T	HLS76-312()-062T
11/32		HLA3025-343()-062T	HLG331-343()-062T	HLS76-343()-062T
7/32	5/64	HLA3025-218()-078T	HLG331-218()-078T	HLS76-218()-078T
1/4		HLA3025-250()-078T	HLG331-250()-078T	HLS76-250()-078T
9/32		HLA3025-281()-078T	HLG331-281()-078T	HLS76-281()-078T
5/16		HLA3025-312()-078T	HLG331-312()-078T	HLS76-312()-078T
11/32		HLA3025-343()-078T	HLG331-343()-078T	HLS76-343()-078T
3/8		HLA3025-375()-078T	HLG331-375()-078T	HLS76-375()-078T
5/16	3/32	HLA3025-312()-094T	HLG331-312()-094T	HLS76-312()-094T
11/32		HLA3025-343()-094T	HLG331-343()-094T	HLS76-343()-094T
3/8		HLA3025-375()-094T	HLG331-375()-094T	HLS76-375()-094T
7/16		HLA3025-437()-094T	HLG331-437()-094T	HLS76-437()-094T
3/8		HLA3025-375()-125T	HLG331-375()-125T	HLS76-375()-125T
7/16		HLA3025-437()-125T	HLG331-437()-125T	HLS76-437()-125T

TABLE 2

A = 0.50	E = 0.75
B = 1.00	F = 1.75
C = 1.50	X = 4.00
D = 2.00	

DRIVER BASIC PART NO.

HLA3025-312(A)-078-T

Example: complete driver assy part no.

SOCKET HEX (REF TABLE 1 OR 2)

SOCKET LENGTH CODE (REF TABLE 2)

SUPER-KEY HEX (REF TABLE 1 OR 2)

SUPER-KEY (T-SERIES)

ORDERING INFORMATION

- Match pin and collar hexes with Super-Key Hex and Socket Hex.
- See table 1 for corresponding complete driver assy part no.

**SUPER HLA3025
6" OFFSET DRIVER ASSEMBLY w/Multi-Length Socket & Super-Key™ (T-series)**



3031 rev —

HLG331

6 Inch Offset Adaptor Assembly with Multi-Length Socket and Super-Key™ (T-Series)

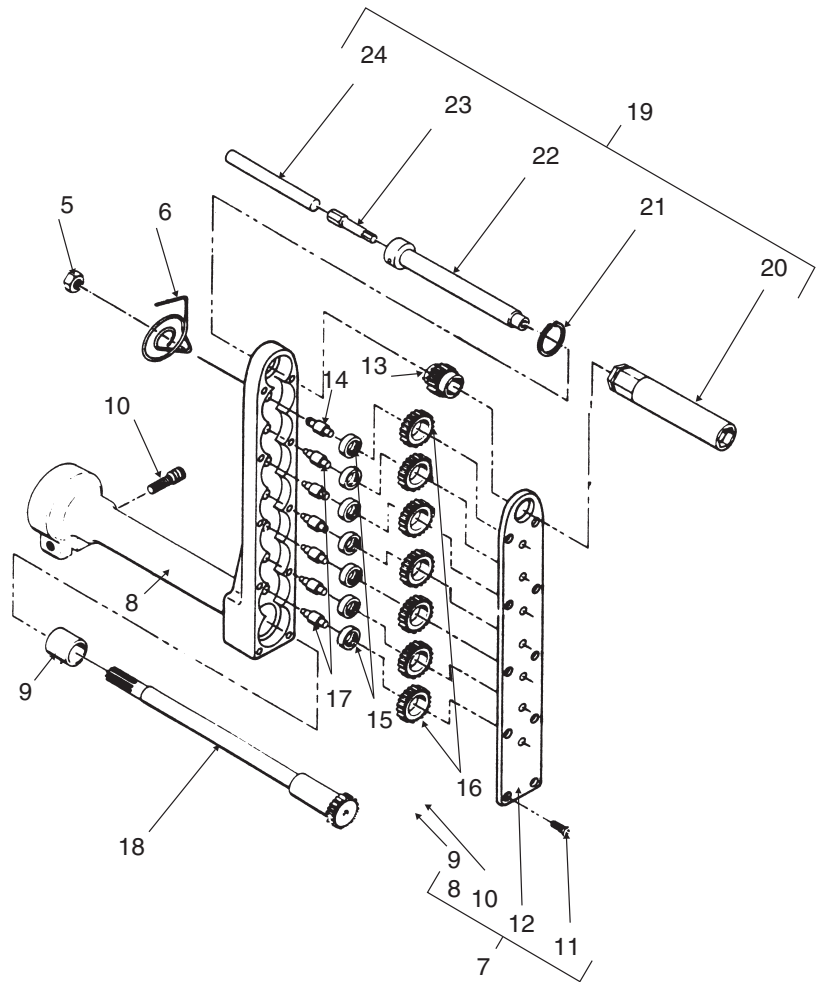
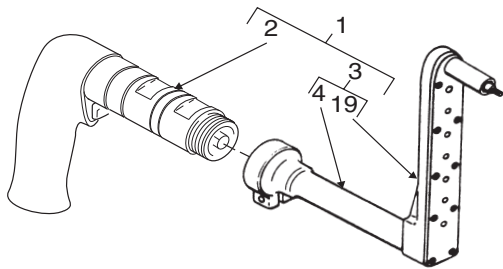


TABLE 3

SOCKET GEAR	
HEX SIZE (Matches Collar Driving Hex)	PART NO.
3/16	HLS47-187()
7/32	HLS47-218()
1/4	HLS47-250()
9/32	HLS47-281()
5/16	HLS47-312()
11/32	HLS47-343()
3/8	HLS47-375()
7/16	HLS47-437()

TABLE 4

SUPER-KEY	
HEX SIZE (Matches Pin Recess Hex)	PART
1/16	HLT140K-062
5/64	HLT140K-078
3/32	HLT140K-094
1/8	HLT140K-125

ITEM	PART NO.	DESCRIPTION	QTY
1	HLA3025-() ()-() T	Tool assy., complete	1
2	HLB1174-003	. Air motor assy.	1
3	HLG331-() ()-() T	. Offset adaptor and socket assy.	1
4	HLG332	.. Offset adaptor assy.	1
5	AN364-632C	... Nut, hex	1
6	HLB1475-5	... Spring, ejector	1
7	HLB1571	... Housing assy., complete	1
8	HLB1572 Housing sub-assy.	1
9	B810 Bushing	1
10	1/4-28 x 5/8 lg. Capscrew, socket head	1
11	6-32 x 3/8 lg. Screw, countersunk-82°	10
12	HLB1573 Plate, cover	1
13	HLB23-437	... Gear, socket, 7/16 thru hex	1
14	HLB105	... Shaft, intermediate, no. 2	1
15	B34	... Bearing (Torrington)	7
16	HLB106-11	... Gear, intermediate	7
17	HLB159	... Gear, intermediate, no. 1	6
18	HLB103-5	... Gear, drive	2
19	HLS76-() ()-()	.. Socket assy., extended	1
20	HLS47-() () Table 3	... Socket	1
21	5100-50	... Ring, retaining	1
22	HLB1665-() ()	... Holder	1
23	HLT140K-() Table 4	... Super-Key	1
24	HLB1616-()	... Spacer	1

HS TOOLING

14083 S. Normandie Ave, Gardena CA 90249 USA
800.482.4167 • fax 310.464.8545

HLG331

6 INCH OFFSET ADAPTOR ASSEMBLY with Multi-Length Socket and Super-Key™ (T-Series)

3032 rev A