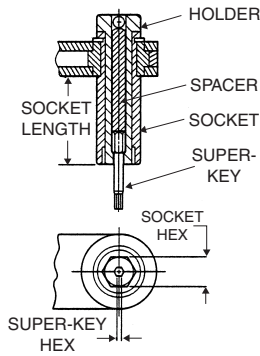
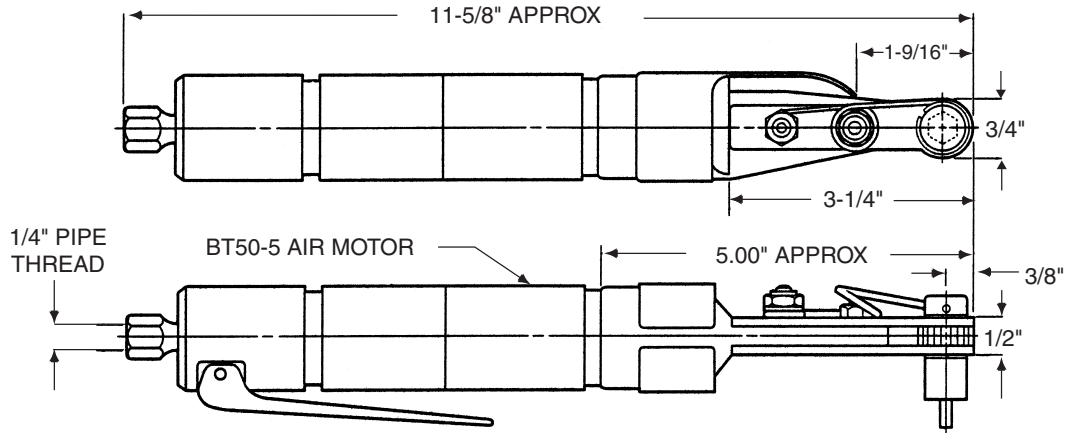


INSTALLATION TOOLING SUPER HLA2002

**Straight Ratchet Wrench Driver Assembly
with Multi-Length Socket and Super-Key™ (T-Series)**



SOCKET END DETAIL



TECHNICAL DATA

Operating Pressure	90 PSIA	Horsepower Rating	0.50
MAX. TORQUE RATING	110 in. lb (Motor) @ 90 PSIA	Air Consumption	22 scfm
Socket Speed	250 RPM	Weight	2 lb

TABLE 1

COLLAR DRIVING HEX (Matches Socket Hex)	PIN RECESS HEX (Matches Super-Key Hex)	COMPLETE DRIVER ASSY. PART NO.	OFFSET ADAPTOR & SOCKET ASSY. PART NO.	EXTENDED SOCKET ASSY. PART NO.		
3/16	1/16	HLA2002-187()-062T	HLR252-187()-062T	HLS76-187()-062T		
7/32		HLA2002-218()-062T	HLR252-218()-062T	HLS76-218()-062T		
1/4		HLA2002-250()-062T	HLR252-250()-062T	HLS76-250()-062T		
9/32		HLA2002-281()-062T	HLR252-281()-062T	HLS76-281()-062T		
5/16		HLA2002-312()-062T	HLR252-312()-062T	HLS76-312()-062T		
11/32		HLA2002-343()-062T	HLR252-343()-062T	HLS76-343()-062T		
7/32	5/64	HLA2002-218()-078T	HLR252-218()-078T	HLS76-218()-078T		
1/4		HLA2002-250()-078T	HLR252-250()-078T	HLS76-250()-078T		
9/32		HLA2002-281()-078T	HLR252-281()-078T	HLS76-281()-078T		
5/16		HLA2002-312()-078T	HLR252-312()-078T	HLS76-312()-078T		
11/32		HLA2002-343()-078T	HLR252-343()-078T	HLS76-343()-078T		
3/8		HLA2002-375()-078T	HLR252-375()-078T	HLS76-375()-078T		
A = 0.50 B = 1.00 C = 1.50 D = 2.00	E = 0.75 F = 1.75 X = 4.00	5/16 11/32 3/8 7/16	3/32	HLA2002-312()-094T	HLR252-312()-094T	HLS76-312()-094T
				HLA2002-343()-094T	HLR252-343()-094T	HLS76-343()-094T
				HLA2002-375()-094T	HLR252-375()-094T	HLS76-375()-094T
				HLA2002-437()-094T	HLR252-437()-094T	HLS76-437()-094T

TABLE 2

A = 0.50	E = 0.75
B = 1.00	F = 1.75
C = 1.50	X = 4.00
D = 2.00	

DRIVER BASIC PART NO.

SOCKET HEX REF. TABLE 1

SOCKET LENGTH (REF TABLE 2)

SUPER-KEY HEX (REF TABLE 1)

SUPER-KEY (T-SERIES)

HLA2002-312(A)-078T

Example: complete driver assy. part no.

ORDERING INFORMATION

- Match pin and collar hexes with Super-Key Hex and Socket Hex.
- See table 1 for corresponding complete driver assy part no.

HLR252

Straight Ratchet Wrench Attachment Assembly with Multi-Length Socket and Super-Key™ (T-Series)

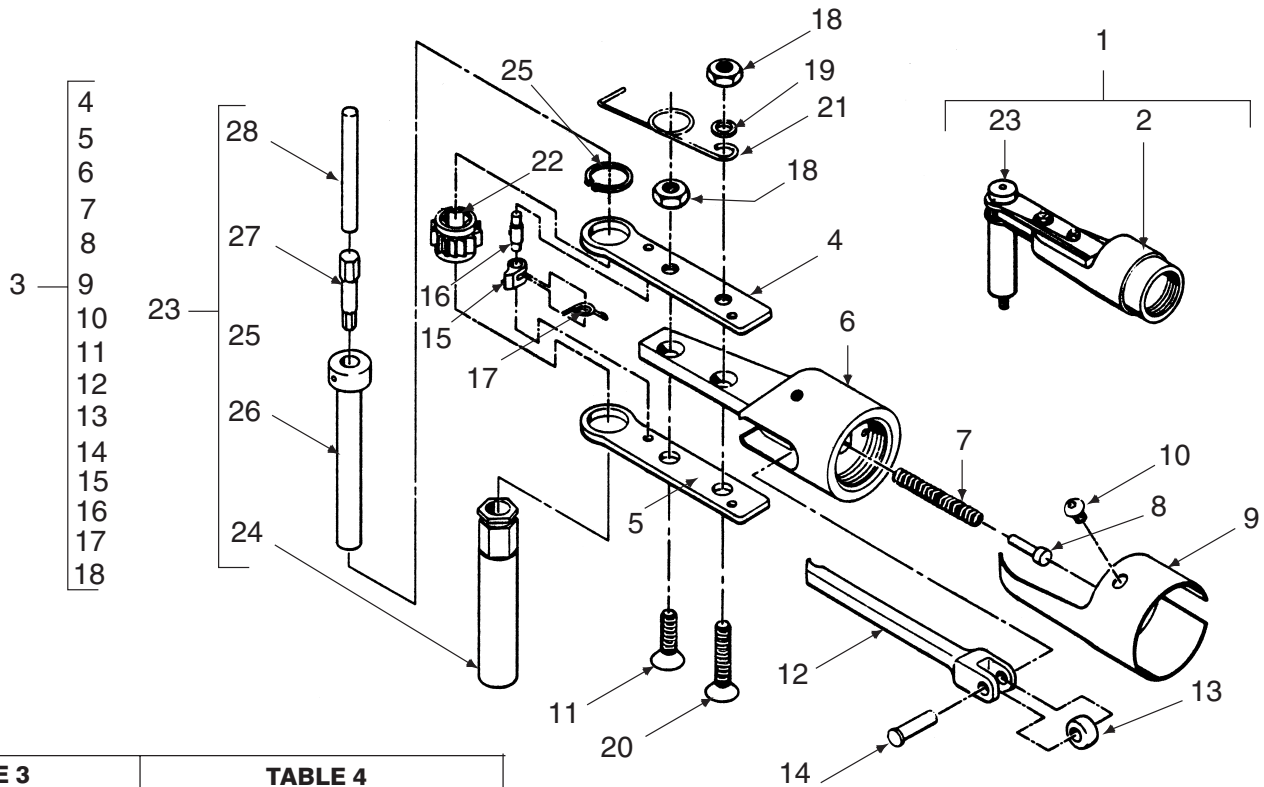


TABLE 3

SOCKET

TABLE 4

SUPER-KEY

HEX SIZE (Matches Collar Driving Hex)	PART NO.	HEX SIZE (Matches Pin Recess Hex)	PART NO.
3/16	HLS47-187()	1/16	HLT140K-062
7/32	HLS47-218()	5/64	HLT140K-078
1/4	HLS47-250()	3/32	HLT140K-094
9/32	HLS47-281()		
5/16	HLS47-312()		
11/32	HLS47-343()		
3/8	HLS47-375()		
7/16	HLS47-437()		

ITEM	PART NO.	DESCRIPTION	QTY	ITEM	PART NO.	DESCRIPTION	QTY
1	HLR252-()-()T	Ratchet wrench attachment assy.	1	15	9D-5165	... Pawl	1
2	HLR252	. Ratchet attachment assy.	1	16	9D-5160	... Pin	1
3	AA-9D-5171-12	.. Ratchet attachment sub-assy.	1	17	9D-5161	... Spring	1
4	9D-5166	... Sideplate, tapped	1	18	C-101-D	... Nut	2
5	9D-5167	... Sideplate, countersunk	1	19	AN960-416	.. Washer	1
6	A-9D-5171	... Housing	1	20	1/4-20 x 1" lg.	.. Screw, flat head socket cap 82°	1
7	9D-5163	... Spring	1	21	HLB1474-3	.. Spring	1
8	9D-5159	... Pin	1	22	28009	.. Gear, socket	1
9	9D-5170	... Cover	1	23	HLS76-() ()-()T	. Socket assy., extended	1
10	B-117-J	... Screw	2	24	HLS47-() () Table 3	.. Socket	1
11	B-123-X	... Screw	1	25	5100-50	.. Retaining ring	1
12	AA-9D-5172	... Pushrod	1	26	HLB1665-() ()	.. Holder	1
13	9D-5162-1	... Roller	1	27	HLT140K-() Table 4	.. Super-Key	1
14	9D-5164	... Pin	1	28	HLB1616-()	.. Spacer	1

HS TOOLING

14083 S. Normandie Ave, Gardena CA 90249 USA
800.482.4167 • fax 310.464.8545

HLR252

Straight Ratchet Wrench Attachment Assy. w/Multi-Length Socket & Super-Key™ (T-Series)