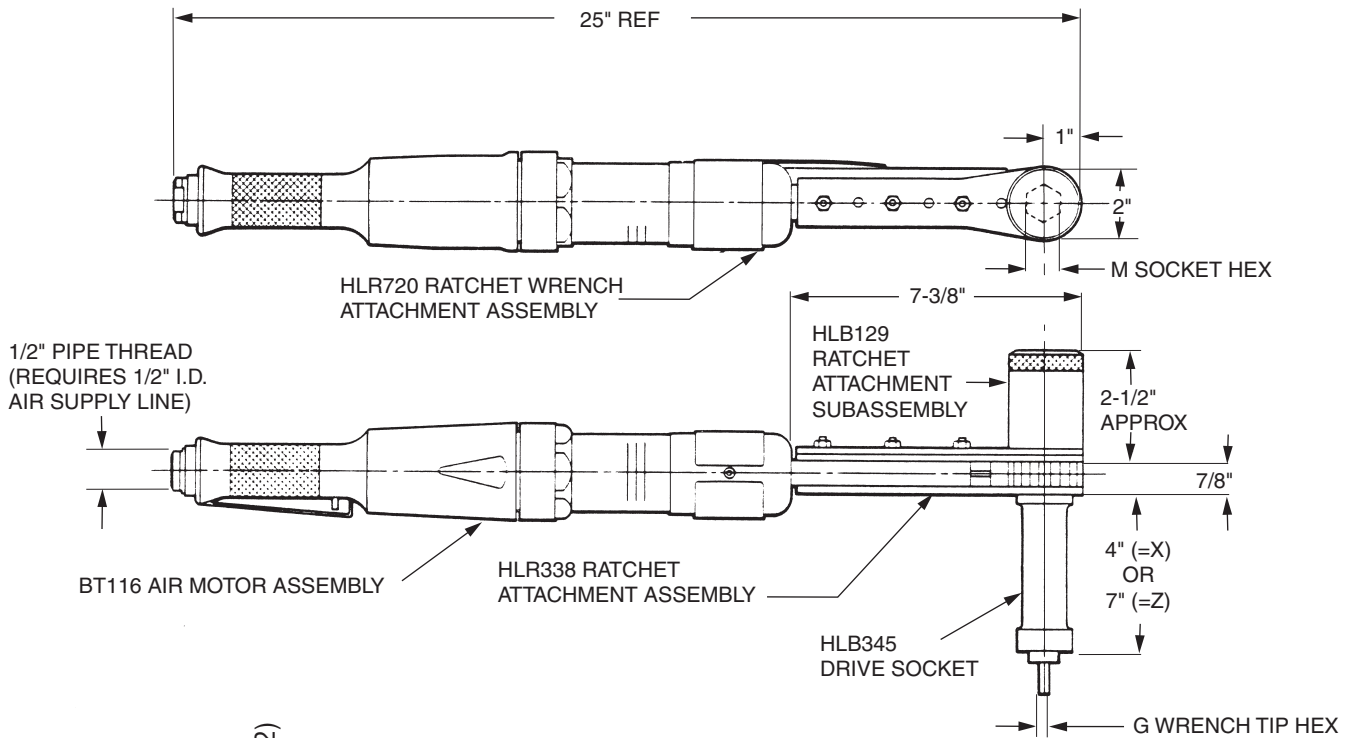


HLA7020

Large Straight Heavy Duty Ratchet Wrench Tool Assembly with Extended Socket



TECHNICAL DATA

Operating Pressure	90 PSIA	Horsepower Rating	2.70
MAX. TORQUE RATING	185 ft. lb	Air Consumption	55 CFM
(Motor)	@90 PSIA	Weight	15 lb
Socket Speed	75 RPM		

TABLE 1

"M" SOCKET DRIVING HEX (Matches Socket Hex)	"G" WRENCH RECESS HEX (Matches Super-Key Hex)	COMPLETE TOOL ASSY. PART NO.	RATCHET WRENCH ATTACHMENT ASSY. PPART NO. (REF.)	EXTENDED SOCKET PART NO.	ATTACHMENT ASSY. PART NO. (REF.)	SOCKET LENGTH inches
1/2	5/32	HLA7020-500X-156	HLR720-500X-156	HLB345-500X	HLB129-500X-156	4
5/8		HLA7020-625X-156	HLR720-625X-156	HLB345-625X	HLB129-625X-156	
9/16	3/16	HLA7020-562X-187	HLR720-562X-187	HLB345-562X	HLB129-562X-187	
3/4		HLA7020-750X-187	HLR720-750X-187	HLB345-750X	HLB129-750X-187	
11/16	7/32	HLA7020-687X-218	HLR720-687X-218	HLB345-687X	HLB129-687X-218	
7/8		HLA7020-875X-218	HLR720-875X-218	HLB345-875X	HLB129-875X-218	
7/8	1/4	HLA7020-875X-250	HLR720-875X-250	HLB345-875X	HLB129-875X-250	7
1/2	5/32	HLA7020-500Z-156	HLR720-500Z-156	HLB345-500Z	HLB129-500Z-156	
3/4	3/16	HLA7020-750Z-187	HLR720-750Z-187	HLB345-750Z	HLB129-750Z-187	
7/8	7/32	HLA7020-875Z-218	HLR720-875Z-218	HLB345-875Z	HLB129-875Z-218	
7/8	1/4	HLA7020-875Z-250	HLR720-875Z-250	HLB345-875Z	HLB129-875Z-250	
1.0		HLA7020-1000Z-250	HLR720-1000Z-250	HLB345-1000Z	HLB129-1000Z-250	
1-1/8	5/16	HLA7020-1125Z-312	HLR720-1125Z-312	HLB345-1125Z	HLB129-1125Z-312	

DRIVER BASIC PART NO.

"M" SOCKET HEX REF. TABLE 1

EXTENDED SOCKET LENGTH (REF TABLE 2)

"G" WRENCH TIP HEX REF. TABLE 1

HLA7020 - 625 (X) - 156

Example: complete driver assy. part no.

ORDERING INFORMATION

1. Determine collar driving hex and pin recess hex dimensions of the fasteners to be installed.
2. See table 1 for "M" socket hex & "G" wrench tip combo to match collar and pin dimensions. Determine complete tool assembly part no.
3. See table 2 for "L" extended socket length

HLR720

Large Straight Heavy Duty Ratchet Wrench Attachment Assembly with Extended Socket

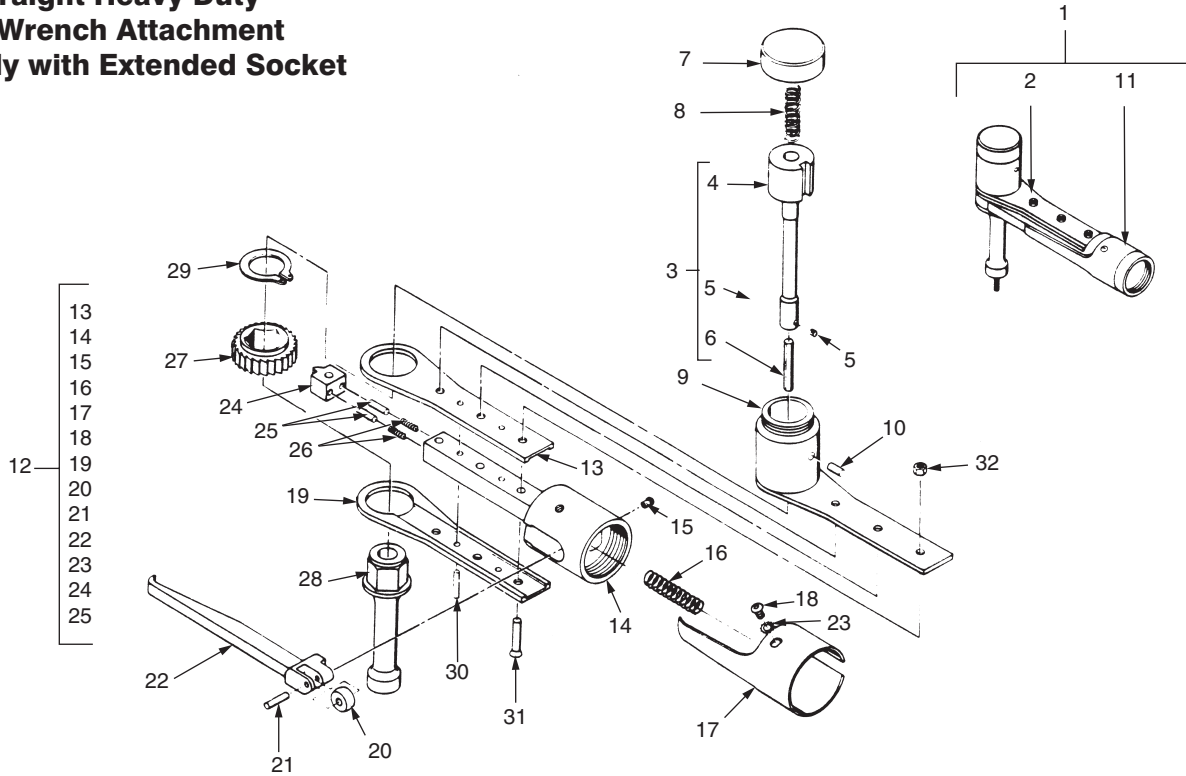


TABLE 3			TABLE 4	
SOCKET GEAR			WRENCH TIP	
HEX SIZE (Matches Collar Driving Hex)	PART NO.		HEX SIZE (Matches Pin Recess Hex)	PART NO.
	4" lg.	7" lg.		
1/2	HLB345-500X	HLB345-500Z	5/32	HLT540-156
9/16	HLB345-562X	HLB345-562Z	3/16	HLT540-187
5/8	HLB345-625X	HLB345-625Z	7/32	HLT540-218
3/4	HLB345-750X	HLB345-750Z	1/4	HLT540-250
11/16	HLB345-687X	HLB345-687Z	5/16	HLT540-312
7/8	HLB345-875X	HLB345-875Z		
1.0	HLB345-1000X	HLB345-1000Z		
1-1/8	HLB345-1125X	HLB345-1125Z		

ITEM	PART NO.	DESCRIPTION	QTY	ITEM	PART NO.	DESCRIPTION	QTY
1	HLR720-() ()-()	Attachment assy., ratchet wrench	1	17	26679	... Coverplate	1
2	HLB129-() ()-()	. Attachment sub-assy.	1	18	B-108-H	... Screw, coverplate	2
3	HLB94-() ()-()	... Holder assy., wrench tip	1	19	27499-32	... Sideplate, countersunk	1
4	HLB53-()-()	... Holder	1	20	26672	... Roller	1
5	HLB60-()	... Set screw	1	21	DP-126	... Pin	1
6	HLT540-() Table 4	... Tip, wrench	1	22	A-27626	... Pushrod	1
7	HLB15	.. Cap, retainer	1	23	W-142	... Washer	2
8	HLB16	.. Spring, #24	1	24	26674	... Pawl	1
9	HLB17	.. Housing assy.	1	25	DP-105	... Pin	2
10	59-048-219-0562	.. Pin, roll (ESNA or equiv.)	1	26	26683	... Spring	2
11	HLR338-() ()	. Attachment assy., ratchet	1	27	29051	.. Gear, socket	1
12	AA-26680-32	.. Attachment, ratchet	1	28	HLB345-() () Table 3	.. Socket, drive	1
13	277500-32	... Sideplate, tapped	1	29	5100-112	.. Ring, retaining	1
14	A-26680	... Housing	1	30	DP-106	.. Pin	2
15	13731	... Fitting, grease	1	31	1/4-20 x 1.25 lg.	.. Screw, flathead socket, 82°	3
16	26682	... Spring	1	32	1/4-20	.. Nut, hex, jam	3

HS TOOLING

14083 S. Normandie Ave, Gardena CA 90249 USA
800.482.4167 • fax 310.464.8545

HLR720

LARGE STRAIGHT HEAVY DUTY

RATCHET WRENCH ATTACHMENT ASSEMBLY with Extended Socket

3086

rev A